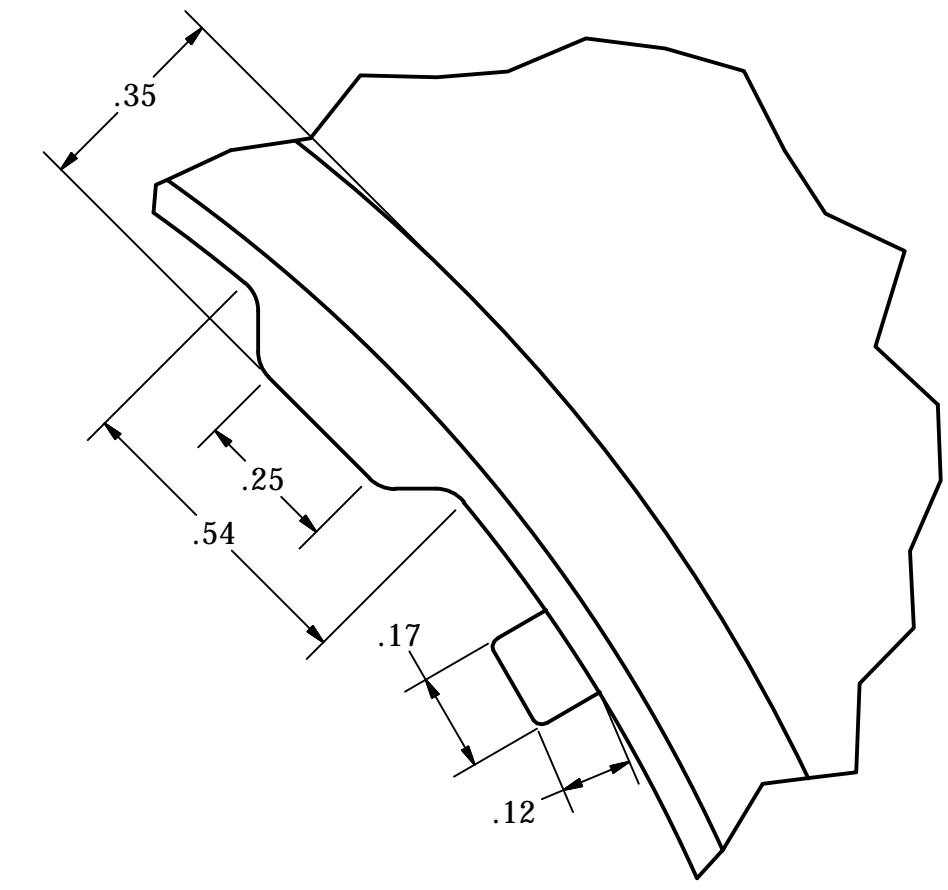
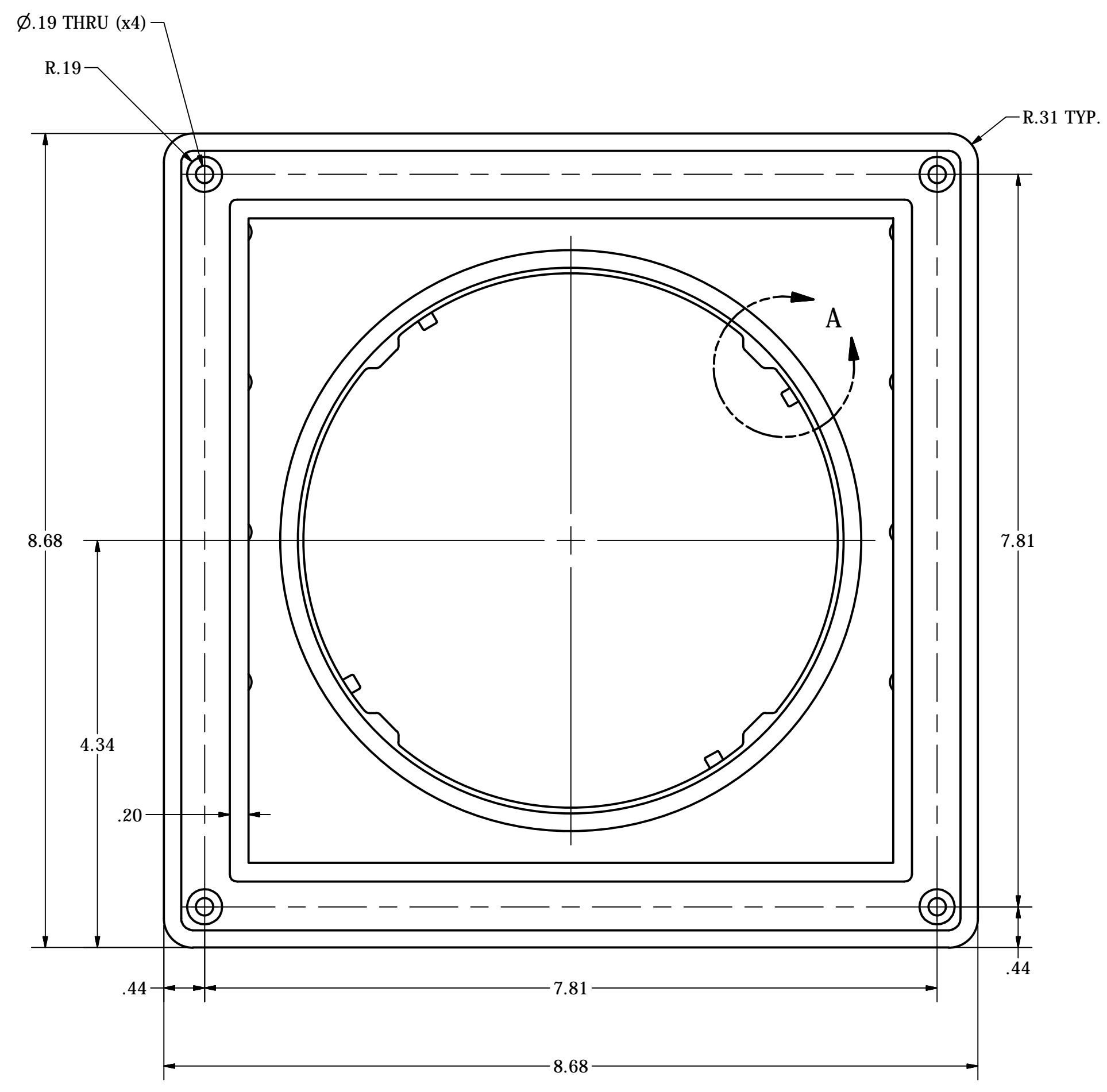
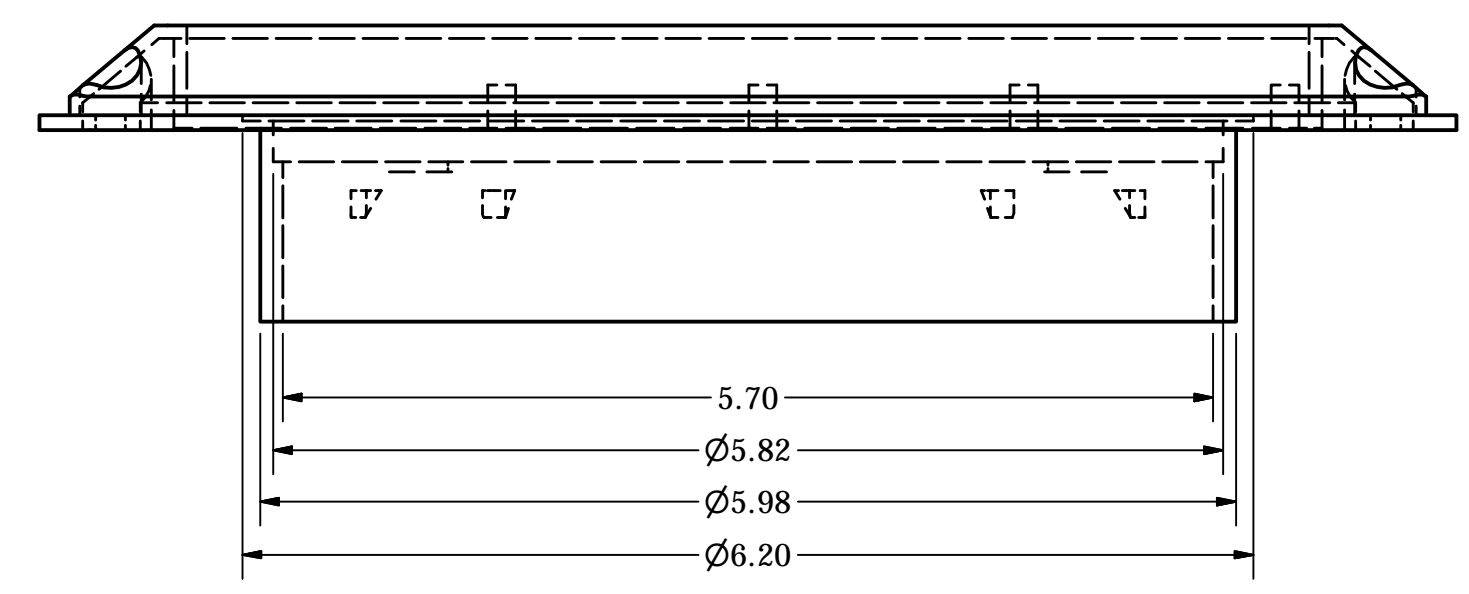
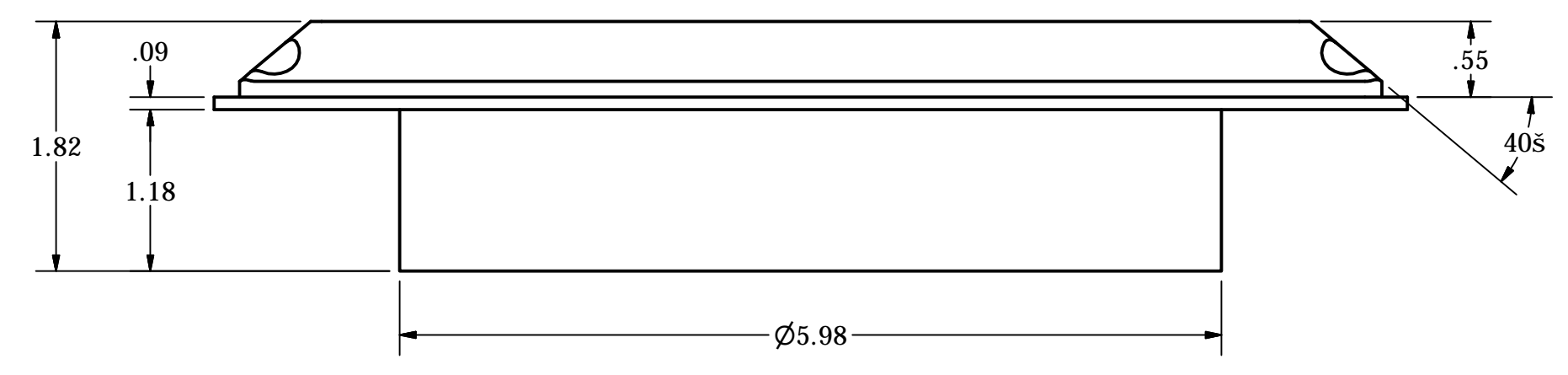
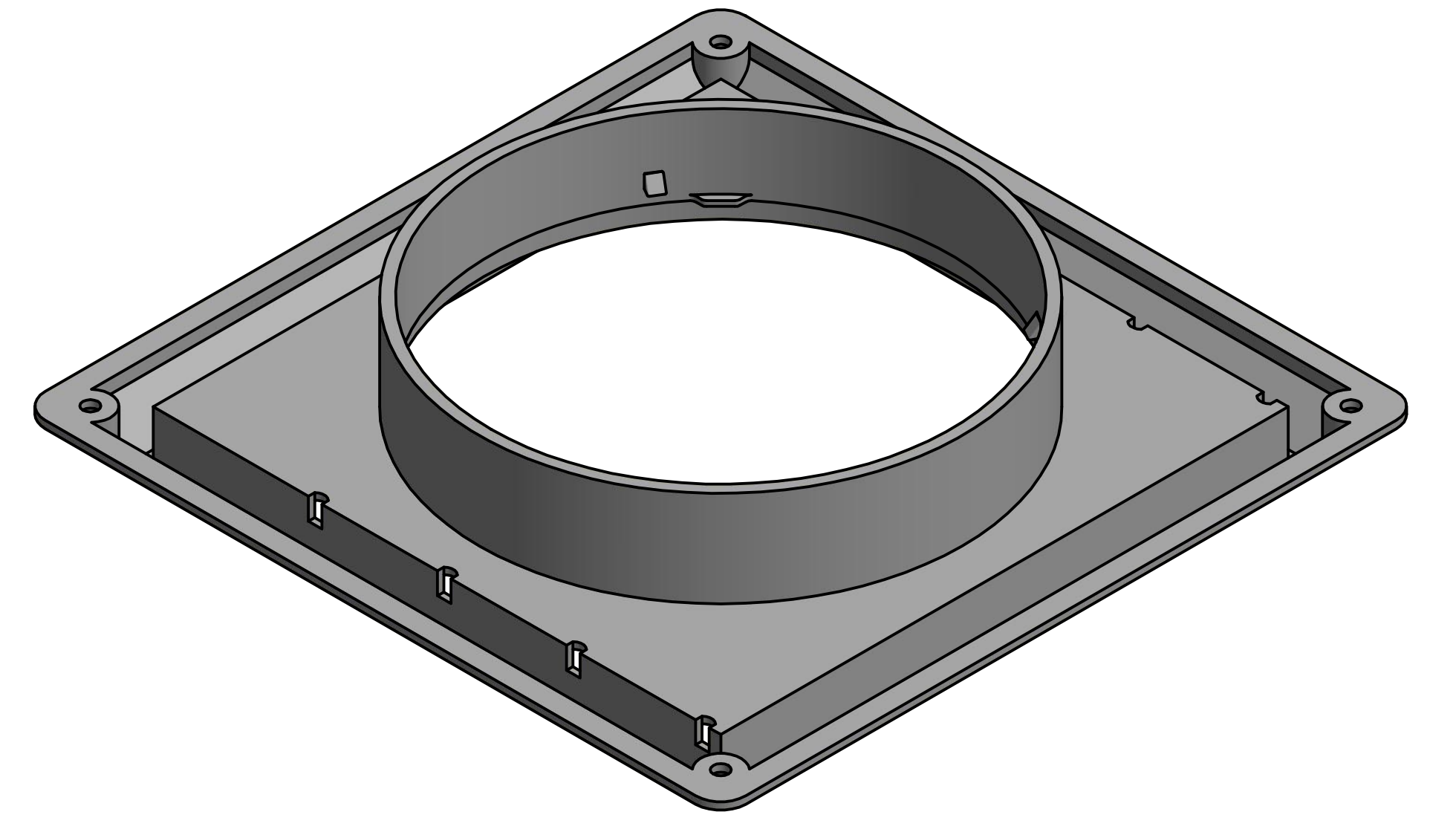
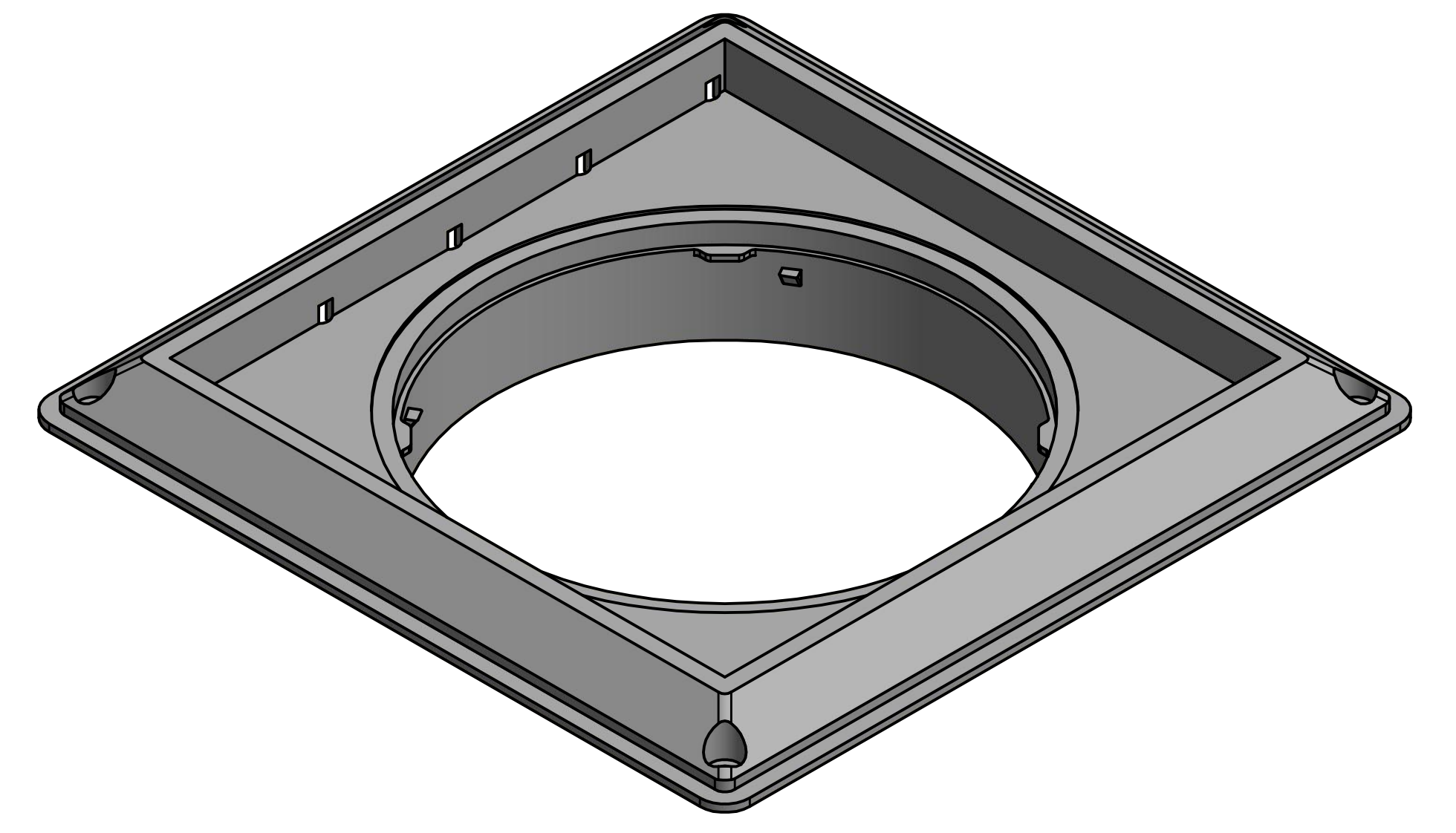


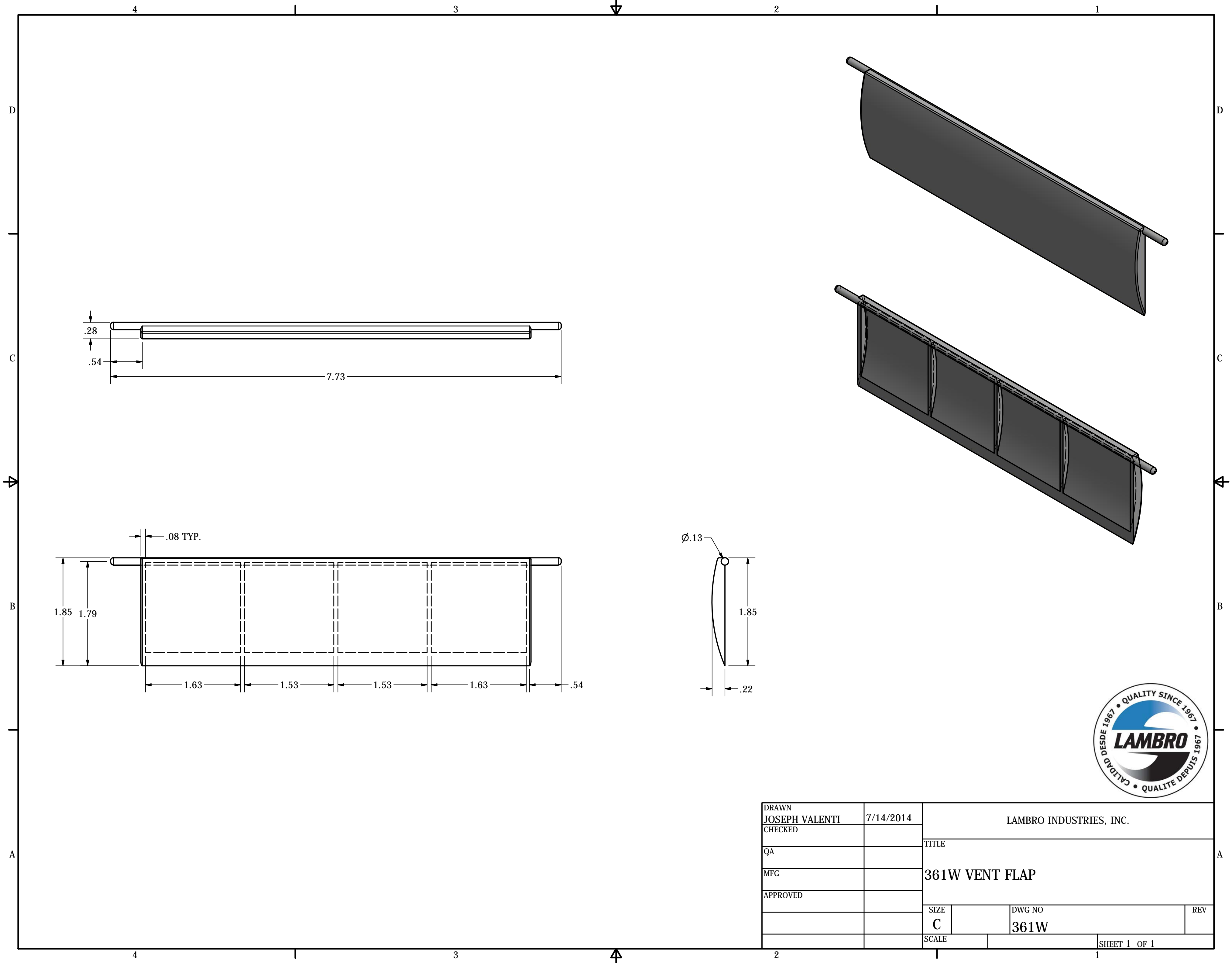
DRAWN JOSEPH VALENTI		7/14/2014		LAMBRO INDUSTRIES, INC.	
CHECKED				TITLE	
QA				361W 6" White Plastic Louver Vent	
MFG				SIZE	
APPROVED				C	
		SCALE		DWG NO	
				361W ASSEMBLY	
				REV	
				SHEET 1 OF 1	



DETAIL A



DRAWN	JOSEPH VALENTI	7/14/2014	LAMBRO INDUSTRIES, INC.		
CHECKED			TITLE		
QA			36W1 DRYER VENT BASE		
MFG			SIZE	DWG NO	REV
APPROVED			D	361W	
			SCALE		SHEET 1 OF 1



DRAWN JOSEPH VALENTI		7/14/2014		LAMBRO INDUSTRIES, INC.	
CHECKED				TITLE	
QA				361W VENT FLAP	
MFG					
APPROVED					
		SIZE	DWG NO	REV	
		C	361W		
		SCALE	SHEET 1 OF 1		