

Shaded Pole Unit Bearing Totally Enclosed

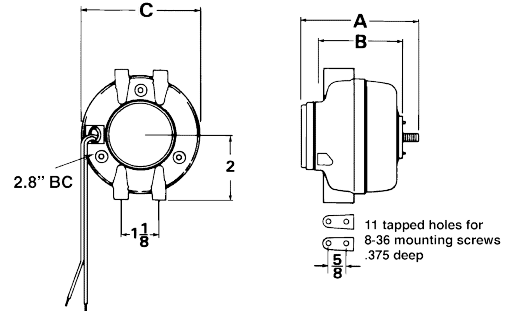


APPLICATIONS:

Evaporator or condenser fan motors to meet manufacturer's requirements for refrigerated display cases and vending machines.

FEATURES:

- Permanently Lubricated Bearings
- Individually Boxed
- Impedance Protected
- 6W & Under Are 60/50 Hertz Rated
- Suitable For All Angle Operation
- 24" Cord With Molded Strain Relief
- Cast Iron Housing
- Includes Vibration Dampener Hub Washer, Speed Nut, 4 Mounting Screws (2 to 35 watt)
- **Discount Symbol: DS-3HAC**



HP	RPM	Voltage	Catalog Number	List	Amps	Shaft Rotation	Total A	Total B	Dia. C	Shaft Dia. & Length	Ship Wt. (lbs)	Industry Number
2.5 W	1550	115	2102	\$46	0.3	CWLE	3.8	3.4	3.6	1/4 x 20THD x 0.5	3	5111
4 W	1550	115	2115	\$49	0.3	CWLE	3.8	3.4	3.6	1/4 x 20THD x 0.5	3	5211
	1550	115	2103	\$49	0.3	CCWLE	3.8	3.4	3.6	1/4 x 20THD x 0.5	3	5212
	1550	230	2122	\$50	0.2	CCWLE	3.8	3.4	3.6	1/4 x 20THD x 0.5	3	5222
	1550	230	2123	\$71	0.2	CWLE	3.8	3.4	3.6	1/4 x 20THD x 0.5	3	5221
5 W	1550	115	2119	\$67	0.6	CWLE	3.8	3.4	3.6	1/4 x 20THD x 0.5	9	PP7577M, D582
	1550	115	2120	\$67	0.6	CCWLE	3.8	3.4	3.6	1/4 x 20THD x 0.5	3	D583
6 W	1550	115	2116	\$50	0.4	CCWLE	4.3	3.8	3.6	1/4 x 20THD x 0.5	3	5312
	1550	115	2117	\$50	0.4	CWLE	4.3	3.8	3.6	1/4 x 20THD x 0.5	3	5311
9 W	1550	115	2118	\$51	0.6	CCWLE	4.3	3.8	3.6	1/4 x 20THD x 0.5	4	5412
	1550	115	2108	\$51	0.6	CWLE	4.3	3.8	3.6	1/4 x 20THD x 0.5	3	5411
	1550	230	2109	\$56	0.3	CCWLE	4.3	3.8	3.6	1/4 x 20THD x 0.5	3	5422
	1550	230	2110	\$56	0.3	CWLE	4.3	3.8	3.6	1/4 x 20THD x 0.5	5	5421
16 W	1550	115	2111	\$71	1	CCWLE	4.5	4.1	3.6	1/4 x 20THD x 0.5	4	5812
	1550	230	2114	\$72	0.5	CWLE	4.5	4.1	3.6	1/4 x 20THD x 0.5	5	5821
	1550	230	2113	\$72	0.5	CCWLE	4.5	4.1	3.6	1/4 x 20THD x 0.5	5	5822
	1550	115	2112	\$71	1	CWLE	4.5	4.1	3.6	1/4 x 20THD x 0.5	4	5811
25 W	1550	115	2124	\$158	1.1	CCWLE	4.5	4	3.9	1/4 x 20THD x 0.5	5	ESPL25EMR1
	1550	115	2125	\$158	1.1	CWLE	4.5	4	3.9	1/4 x 20THD x 0.5	5	ESPL25EM1
	1550	230	2126	\$163	0.6	CWLE	4.5	4	3.9	1/4 x 20THD x 0.5	5	ESPL25EM2
	1550	230	2127	\$163	0.6	CCWLE	4.5	4	3.9	1/4 x 20THD x 0.5	5	ESPL25EMR2
35 W	1550	115	2128	\$158	1.4	CCWLE	4.5	4	3.9	1/4 x 20THD x 0.5	5	ESPL35EMR1
	1550	115	2129	\$158	1.4	CWLE	4.5	4	3.9	1/4 x 20THD x 0.5	5	ESPL35EM1
	1550	230	2130	\$163	0.7	CCWLE	4.5	4	3.9	1/4 x 20THD x 0.5	5	ESPL35EMR2
	1550	230	2131	\$163	0.7	CWLE	4.5	4	3.9	1/4 x 20THD x 0.5	5	ESPL35EM2
50 W	1550	115	2132	\$182	1.7	CCWLE	6.2	4.7	4	.375 x 1.5	6	ESPOL50EMR1
	1550	115	2133	\$176	1.7	CWLE	7.2	5.7	4	.375 x 1.5	6	ESPOL50EM1
	1550	230	2134	\$182	0.9	CCWLE	8.2	6.7	4	.375 x 1.5	6	ESPOL50EMR2
	1550	230	2135	\$182	0.9	CWLE	9.2	7.7	4	.375 x 1.5	7	ESPOL50EM2

† All marks shown within this document are properties of their respective owners.

